

Ionizer (Basic Fan Type)

ZJ-FA20

CSM_ZJ-FA20_DS_E_2_1

High-speed, High cost performance Ionization



- High-speed ionization in only 0.8 seconds.
- Built-in sensor controls the ion balance at all times.
- Fully open structure makes it possible to perform maintenance simply and safely.
- Can easily be attached to aluminum profiles.



For the most recent information on models that have been certified for safety standards, refer to your OMRON website.

Refer to *Safety Precautions* on page 2.

Ordering Information

Ionizer

Model
ZJ-FA20

Accessories (sold separately)

	Model
Replacement Filter	ZJ9-FL120N1 (set of 10)
Replacement Discharger Electrode	ZJ9-NDT06FN1 (set of 6)

Ratings and Specifications

Ionizer

Item	Model	ZJ-FA20
Power supply voltage		24 VDC *1
Current consumption		900 mA max. (input from included AC adapter)
Discharge voltage		±7 kV
Discharge method		Variable DC
Airflow (m ³ /min.)		1.4 to 2.3 m ³ /min (typical)
Ionization time *2		1.2 s (0.8 s with no Filter)
Ion balance *2		±10 V max.
Amount of generated ozone		0.01 ppm max. (measured at a distance of 50 mm from air outlet)
Indicators		High-voltage output lamp: ION (yellow), Cleaning lamp: CLEANING (orange), Power lamp: POWER (green)
Main functions		Automatic ion balance adjustment, airflow adjustment, manual ion balance adjustment
Ambient temperature range		Operating and storage: 0 to 50°C (with no icing or condensation)
Ambient humidity range		Operating: 35% to 65%, storage: 35% to 85% (with no condensation)
Weight (packed state)		Approx. 2.0 kg
Materials		Unit: ABS, Discharger: Tungsten, stand: SPCC
Accessories		Instruction sheet, AC adapter, warning labels (2 types), FG connection cable (2 m)

*1. Be sure to use the included AC adapter for Ionizer operation.

*2. Typical default settings.

Measurement location and conditions: Center of air outlet at a distance of 300 mm, with maximum fan speed
 Ionization time: The time required to lower the charge from ±1,000 V to ±100 V
 Ion balance measurement time: 10 s
 Plate monitor: 150 × 150 mm, 20 pF

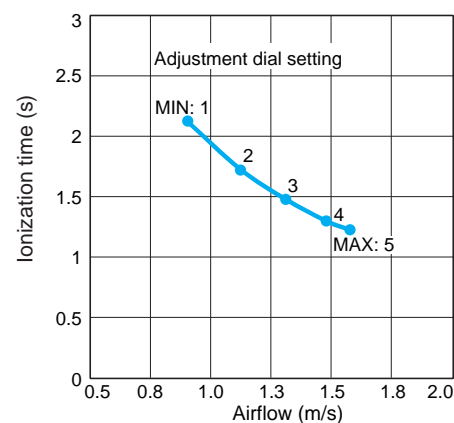
AC Adapter (Provided: UIA336-24-JR01A-998 by UNIFIVE CO., LTD.)

Item	
Input voltage	100 to 240 VAC, 50/60 Hz
Power consumption	100 VAC: 70 VA max. 240 VAC: 115 VA max.
Output voltage	24 VDC
Output current	1.5 A max.
Ambient temperature range	0 to 40°C
Ambient humidity range	35% to 85% (with no condensation)
Weight	Approx. 175 g (excluding power cable)
Dimensions	43.8 × 28 × 95.9 (W × D × H) mm

* If an additional AC adapter is required, please contact your OMRON sales representative.

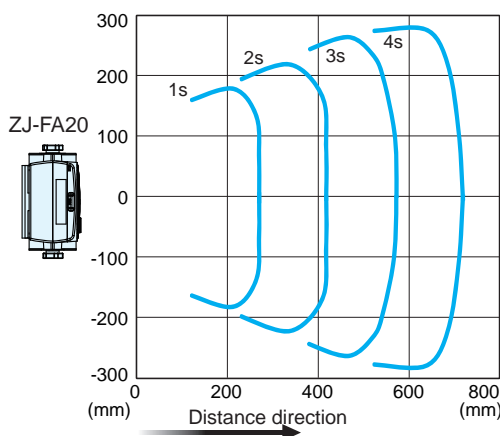
Engineering Data (Reference Value)

Airflow vs. Ionization Time



Measurement Conditions
 Installation distance: 300 mm
 Ionization time: ±1,000 V to ±100 V
 Plate monitor: 150 × 150 mm, 20 pF

Ionization Area vs. Ionization Time



Measurement Conditions
 Airflow: Max.
 Ionization time: ±1,000 V to ±100 V
 Plate monitor: 150 × 150 mm, 20 pF

Safety Precautions

WARNING

This product is not designed or rated for ensuring safety of persons either directly or indirectly. Do not use it for such purposes.



Precaution for Correct Use

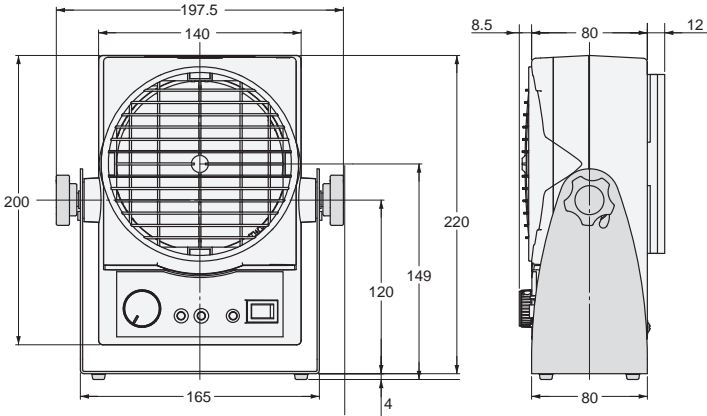
Do not use the product in atmospheres or environments that exceed product ratings.

This document provides information mainly for selecting suitable models. Information such as the usage precautions is not contained herein. Be sure to read the instruction manual before using the product.

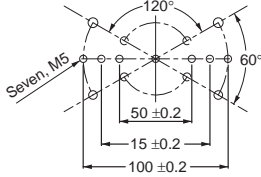
For technical information and product FAQs, refer to the *Technical Guide* on your OMRON website.

Dimensions

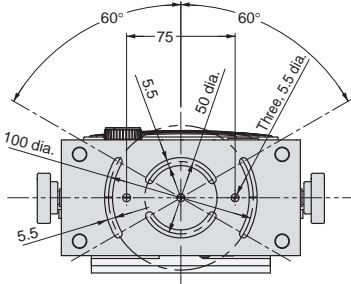
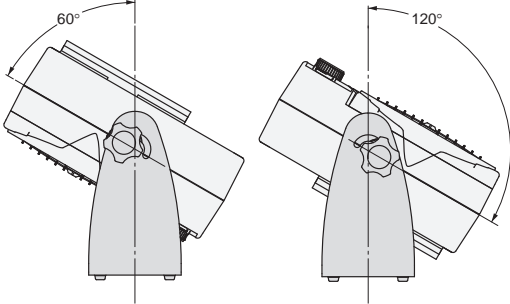
Tolerance class IT16 applies to dimensions in this data sheet unless otherwise specified.



Mounting Hole Dimensions



Rotation Range



Terms and Conditions Agreement

Read and understand this catalog.

Please read and understand this catalog before purchasing the products. Please consult your OMRON representative if you have any questions or comments.

Warranties.

(a) Exclusive Warranty. Omron's exclusive warranty is that the Products will be free from defects in materials and workmanship for a period of twelve months from the date of sale by Omron (or such other period expressed in writing by Omron). Omron disclaims all other warranties, express or implied.

(b) Limitations. OMRON MAKES NO WARRANTY OR REPRESENTATION, EXPRESS OR IMPLIED, ABOUT NON-INFRINGEMENT, MERCHANTABILITY OR FITNESS FOR A PARTICULAR PURPOSE OF THE PRODUCTS. BUYER ACKNOWLEDGES THAT IT ALONE HAS DETERMINED THAT THE PRODUCTS WILL SUITABLY MEET THE REQUIREMENTS OF THEIR INTENDED USE.

Omron further disclaims all warranties and responsibility of any type for claims or expenses based on infringement by the Products or otherwise of any intellectual property right. (c) Buyer Remedy. Omron's sole obligation hereunder shall be, at Omron's election, to (i) replace (in the form originally shipped with Buyer responsible for labor charges for removal or replacement thereof) the non-complying Product, (ii) repair the non-complying Product, or (iii) repay or credit Buyer an amount equal to the purchase price of the non-complying Product; provided that in no event shall Omron be responsible for warranty, repair, indemnity or any other claims or expenses regarding the Products unless Omron's analysis confirms that the Products were properly handled, stored, installed and maintained and not subject to contamination, abuse, misuse or inappropriate modification. Return of any Products by Buyer must be approved in writing by Omron before shipment. Omron Companies shall not be liable for the suitability or unsuitability or the results from the use of Products in combination with any electrical or electronic components, circuits, system assemblies or any other materials or substances or environments. Any advice, recommendations or information given orally or in writing, are not to be construed as an amendment or addition to the above warranty.

See <http://www.omron.com/global/> or contact your Omron representative for published information.

Limitation on Liability; Etc.

OMRON COMPANIES SHALL NOT BE LIABLE FOR SPECIAL, INDIRECT, INCIDENTAL, OR CONSEQUENTIAL DAMAGES, LOSS OF PROFITS OR PRODUCTION OR COMMERCIAL LOSS IN ANY WAY CONNECTED WITH THE PRODUCTS, WHETHER SUCH CLAIM IS BASED IN CONTRACT, WARRANTY, NEGLIGENCE OR STRICT LIABILITY.

Further, in no event shall liability of Omron Companies exceed the individual price of the Product on which liability is asserted.

Suitability of Use.

Omron Companies shall not be responsible for conformity with any standards, codes or regulations which apply to the combination of the Product in the Buyer's application or use of the Product. At Buyer's request, Omron will provide applicable third party certification documents identifying ratings and limitations of use which apply to the Product. This information by itself is not sufficient for a complete determination of the suitability of the Product in combination with the end product, machine, system, or other application or use. Buyer shall be solely responsible for determining appropriateness of the particular Product with respect to Buyer's application, product or system. Buyer shall take application responsibility in all cases.

NEVER USE THE PRODUCT FOR AN APPLICATION INVOLVING SERIOUS RISK TO LIFE OR PROPERTY OR IN LARGE QUANTITIES WITHOUT ENSURING THAT THE SYSTEM AS A WHOLE HAS BEEN DESIGNED TO ADDRESS THE RISKS, AND THAT THE OMRON PRODUCT(S) IS PROPERLY RATED AND INSTALLED FOR THE INTENDED USE WITHIN THE OVERALL EQUIPMENT OR SYSTEM.

Programmable Products.

Omron Companies shall not be responsible for the user's programming of a programmable Product, or any consequence thereof.

Performance Data.

Data presented in Omron Company websites, catalogs and other materials is provided as a guide for the user in determining suitability and does not constitute a warranty. It may represent the result of Omron's test conditions, and the user must correlate it to actual application requirements. Actual performance is subject to the Omron's Warranty and Limitations of Liability.

Change in Specifications.

Product specifications and accessories may be changed at any time based on improvements and other reasons. It is our practice to change part numbers when published ratings or features are changed, or when significant construction changes are made. However, some specifications of the Product may be changed without any notice. When in doubt, special part numbers may be assigned to fix or establish key specifications for your application. Please consult with your Omron's representative at any time to confirm actual specifications of purchased Product.

Errors and Omissions.

Information presented by Omron Companies has been checked and is believed to be accurate; however, no responsibility is assumed for clerical, typographical or proofreading errors or omissions.