

Works great, looks great.

Our NY industrial Panel PC enables operator and maintenance engineer to operate and interact more effectively with the machine, using powerful, tough and future-proof PC technology for visualization, data-handling, measuring and controlling. Omron engineers used the latest insights in design simplification to cut faults caused by complexity, while optimizing operator efficiency, maximizing uptime and reducing costs.



Features

- No internal cables in the PC part eliminates faults, maximizes uptime
- Unique simplified thermal design cuts downtime
- Powerful Intel® Core™ technology for optimum performance
- 12.1 and 15.4 inch industrial display
- Multi-touch projected capacitive touchscreen
- False touch detection (palm, water)
- Operator can wear gloves *

* When using gloves, ensure to use gloves that are functional with this touchscreen.

Windows is a registered trademark of Microsoft Corporation in the United States and other countries.

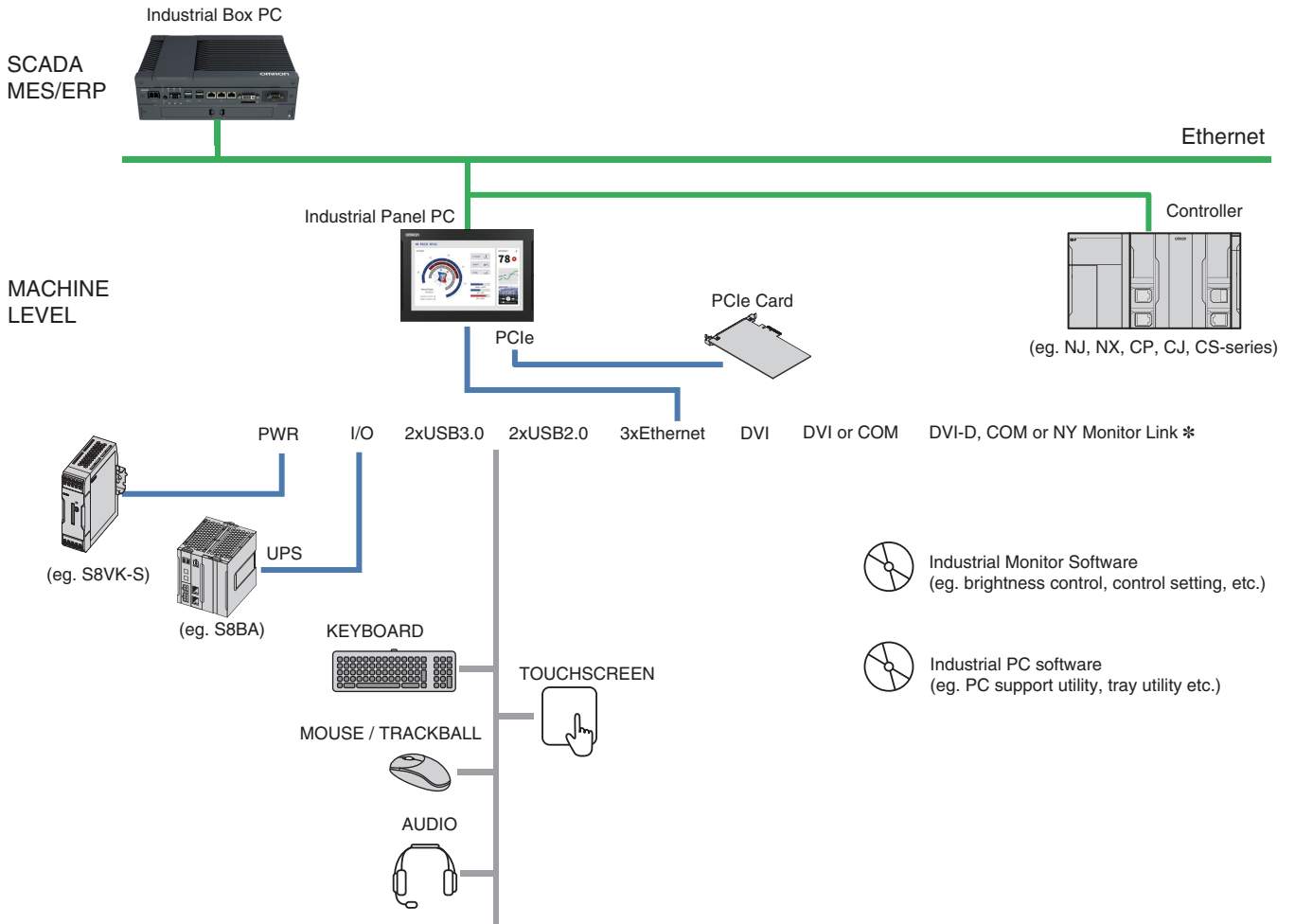
The SD and SDHC logos are trademarks of SD-3C, LLC.

Intel, Celeron and Intel Core are trademarks or registered trademarks of Intel Corporation or its subsidiaries in the United States and other countries.

Other company names and product names in this document are the trademarks or registered trademarks of their respective companies.

The product photographs and figures that are used in this document may vary somewhat from the actual products.

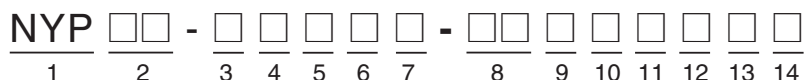
System Configuration



* NY Monitor Link option: Connect monitor up to 100 m via standard Ethernet cable.

Model Number Structure

The purpose of this model number legend is to provide understanding of the meaning of specifications from the model number. Models are not available for all combinations of code numbers.



| Item | Description | Option / Description |
|------|-------------------------|---|
| 1 | Series name | NYP: NY- series Industrial Panel PC |
| 2 | Processor | <ul style="list-style-type: none"> 1 7: Intel® Core™ i7-4700EQ 4th generation CPU with fan unit for active cooling 2 5: Intel® Core™ i5-4300U 4th generation CPU with fanless cooling 1 C: Intel® Celeron™ 2980U 4th generation CPU with fanless cooling |
| 3 | Main memory | <ul style="list-style-type: none"> 1: 2 GB, non-ECC 2: 4 GB, non-ECC 3: 8 GB, non-ECC |
| 4 | Expansion slots | 1: 1 PCIe slot |
| 5 | Operating system | <ul style="list-style-type: none"> 0: No operating system 1: Windows Embedded Standard 7 - 32 bit 2: Windows Embedded Standard 7 - 64 bit 3: Windows 10 IoT Enterprise LTSB - 64 bit |
| 6 | Storage | <ul style="list-style-type: none"> 0: No disk 8: 32 GB, SSD SLC 9: 64 GB, SSD SLC C: 320 GB, HDD K: 128GB, SSD MLC |
| 7 | Optional interface | <ul style="list-style-type: none"> 1: RS-232C 2: DVI-D 6: NY Monitor Link |
| 8 | Display size (diagonal) | <ul style="list-style-type: none"> 12: 12.1 inch model, 1280 x 800 pixels, 24 bit full color 15: 15.4 inch model, 1280 x 800 pixels, 24 bit full color |
| 9 | Display ratio | W: Wide |
| 10 | Touchscreen | C: Projected Capacitive Touch type |
| 11 | Frame type | 1: Aluminum frame, black |
| 12 | Design | 0: Standard |
| 13 | Built-in options | 0: None |
| 14 | Logo | <ul style="list-style-type: none"> 0: OMRON 2: Customized logo * |

* For Europe only. Please consult your OMRON representative for details.

Ordering Information

NY-series Industrial PC Platform

Recommended models

The industrial Panel PC has extended configuration possibilities to meet your requirements, below an overview of the most used and recommended models. Selecting one of the models below will bring the benefit of faster delivery times.

In case your preferred model is not listed below, please contact your Omron representative to discuss the possibilities.

| Product name | Specifications | | | | | | Model |
|---------------------|----------------|---|------------------------|---------------------------|-----------------------|------------------|----------------------|
| | Display size | Operating system | CPU type | RAM memory (non-ECC type) | Storage size | Interface option | |
| Industrial Panel PC | 12.1 Inch | Windows 10 IoT Enterprise LTSB - 64 bit | Intel® Core™ i7-4700EQ | 8 GB | 128 GB SSD type (MLC) | RS-232C | NYP17-313K1-12WC1000 |
| | | | Intel® Core™ i5-4300U | 8 GB | 128 GB SSD type (MLC) | RS-232C | NYP25-313K1-12WC1000 |
| | | | Intel® Core™ i5-4300U | 8 GB | 64 GB SSD type (SLC) | RS-232C | NYP25-31391-12WC1000 |
| | | | Intel® Celeron™ 2980U | 8 GB | 128 GB SSD type (MLC) | RS-232C | NYP1C-313K1-12WC1000 |
| | | Windows Embedded Standard 7 - 64bit | Intel® Celeron™ 2980U | 8 GB | 128 GB SSD type (MLC) | RS-232C | NYP1C-312K1-12WC1000 |
| | 15.4 inch | Windows 10 IoT Enterprise LTSB - 64 bit | Intel® Core™ i7-4700EQ | 8 GB | 128 GB SSD type (MLC) | RS-232C | NYP17-313K1-15WC1000 |
| | | | Intel® Core™ i5-4300U | 8 GB | 128 GB SSD type (MLC) | RS-232C | NYP25-313K1-15WC1000 |
| | | | Intel® Core™ i5-4300U | 8 GB | 64 GB SSD type (SLC) | RS-232C | NYP25-31391-15WC1000 |
| | | | Intel® Celeron™ 2980U | 8 GB | 128 GB SSD type (MLC) | RS-232C | NYP1C-313K1-15WC1000 |
| | | Windows Embedded Standard 7 - 64bit | Intel® Celeron™ 2980U | 8 GB | 128 GB SSD type (MLC) | RS-232C | NYP1C-312K1-15WC1000 |

Accessories

Optional Hardware

| Product name | Specifications | Model |
|---------------------------------|--|---------------|
| SD Memory Cards | Card type: SD Card Capacity: 2 GB Format: FAT16 | HMC-SD291 |
| | Card type: SDHC Card Capacity: 4 GB Format: FAT32 | HMC-SD491 |
| USB Flash Drives | Capacity: 2 GB | FZ-MEM2G |
| | Capacity: 8 GB | FZ-MEM8G |
| Storage Devices | Storage type: HDD Capacity: 320 GB | NY000-AH00 |
| | Storage type: SSD SLC Capacity: 32 GB | NY000-AS00 |
| | Storage type: SSD SLC Capacity: 64 GB | NY000-AS01 |
| | Storage type: SSD MLC Capacity: 128 GB | NY000-AS02 |
| USB Type-A to USB Type-B Cables | Cable length: 2 m USB 2.0 Minimum bend radius: 25 mm | FH-VUAB 2M |
| | Cable length: 5 m USB 2.0 Minimum bend radius: 25 mm | FH-VUAB 5M |
| DVI Cables | Cable length: 2 m Supports DVI-D Minimum bend radius: 36 mm | NY000-AC00 2M |
| | Cable length: 5 m Supports DVI-D Minimum bend radius: 36 mm | NY000-AC00 5M |
| Power Supply | <ul style="list-style-type: none"> Output voltage: 24 VDC Push-In Plus terminal blocks | S8VK-S□□□24 |
| UPS * | Output voltage during backup operation: 24 VDC ± 5% | S8BA |
| UPS Communication Cable | Cable length: 2 m Signals for <ul style="list-style-type: none"> Signal output (BL, TR, BU, WB) Remote ON/OFF input UPS Stop Signal input (BS) | S8BW-C02 |

* Revision number 04 or later.

The revision number of the UPS can be retrieved from the serial number label on the product and the product packaging.

A3□ □□□□□□□□ □□ □
 1 2 3 4

| Item | Description |
|------|--------------------------------------|
| 1 | Product code |
| 2 | Product period and sequential number |
| 3 | Revision number |
| 4 | RoHS status |

Spare Parts

The following spare parts for the Industrial Panel PC are available.

| Product name | Specifications | Model |
|---------------|---|------------|
| Battery | One battery is supplied with the Industrial Panel PC. The battery supplies power to the real-time clock. The battery is located inside the Industrial Panel PC. Service life: 5 years at 25°C | CJ1W-BAT01 |
| Fan Unit | The Fan Unit is available for the Industrial Panel PC that has active cooling. Service life: 70,000 hours of continuous operation at 40°C with 15% to 65% relative humidity. Shelf life: 6 months. This is the storage limitation with no power supplied. | NY000-AF00 |
| Accessory Kit | Replacement kit containing all accessories supplied with Industrial Panel PC. <ul style="list-style-type: none"> Power connector I/O connector Drive bracket for drive installation 4 mounting screws for drive installation PCIe Card support for PCIe Card installation PCIe Card clip for PCIe Card installation | NY000-AK00 |

Installed Support Software

| Item | Specifications |
|---------------------------------------|--|
| Industrial PC Support Utility | The Industrial PC Support Utility is a software utility to assist in diagnosing and resolving problems of the Industrial Panel PC. It is pre-installed on the Industrial Box PC and the Industrial Panel PC. |
| Industrial PC Tray Utility | The Industrial PC Tray Utility is a software utility that provides information about the current state of the Industrial PC, its related devices, and associated software. It is pre-installed on the Industrial Box PC and the Industrial Panel PC. |
| Industrial PC System API | The Industrial PC System API allows programmers to create programs that can retrieve information or set an indicator status of the Industrial Panel PC. The API makes use of the included IPC System Service to manage the hardware. It is pre-installed on the Industrial Box PC and the Industrial Panel PC. |
| Industrial Monitor Utility | The Industrial Monitor Utility provides a user interface to control settings and display details of connected Industrial Monitors. It is pre-installed on the Industrial Box PC and the Industrial Panel PC. |
| Industrial Monitor Brightness Utility | The Industrial Monitor Brightness Utility is a small software utility that allows you to control the brightness of the screen backlight of all connected Industrial Monitors. It is pre-installed on the Industrial Box PC and the Industrial Panel PC. |
| Industrial Monitor API | The Industrial Monitor API allows programmers to create applications that can control the hardware features and retrieve information from connected Industrial Monitors. It is pre-installed on the Industrial Box PC and the Industrial Panel PC. |
| Industrial PC Rescue Disk Creator | The Industrial PC Rescue Disk Creator creates a USB Rescue Disk which can be used to back-up and restore the Omron IPC Operating System. It is pre-installed on the Industrial Box PC and the Industrial Panel PC. |

Specifications

Performance Specifications

| Item | | NYP17-□□□□□ | NYP25-□□□□□ | NYP1C-□□□□□ | |
|--|-------------------------------|---|---|---|---------------------------------|
| Main system | CPU | CPU type | Intel® Core™ i7-4700EQ | Intel® Core™ i5-4300U | Intel® Celeron® Processor 2980U |
| | | Cores / Threads | 4 / 8 | 2 / 4 | 2 / 2 |
| | | CPU base frequency | 2.4 GHz | 1.9 GHz | 1.6 GHz |
| | | Maximum turbo frequency | 3.4 GHz | 2.9 GHz | – |
| | | Cache | 6 MB | 3 MB | 2 MB |
| | | Cooling details | Requires active cooling (fan) | Passive cooling (fanless) | |
| | Memory | Memory size | 4, 8 GB | 2, 4, 8 GB | 2, 4, 8 GB |
| | | Memory type | DDR3L (non ECC) | | |
| | Trusted platform module (TPM) | | <ul style="list-style-type: none"> Ensure the integrity of the platform Disk encryption Password protection and other uses of encryption | | |
| | Graphics controller | | Intel® HD Graphics. Up to two independent screens. | | |
| | | Intel® HD Graphics 4600 | Intel® HD Graphics 4400 | Intel® HD Graphics | |
| Watchdog | | Yes | | | |
| Operating system | Windows OS | Windows Embedded Standard 7 - 32 bit Windows Embedded Standard 7 - 64 bit Windows 10 IoT Enterprise LTSB - 64 bit | | | |
| Storage devices | Drives | Hard disk drive | | <ul style="list-style-type: none"> 320 GB Serial ATA 3.0 | |
| | | Solid state drive | SLC type | <ul style="list-style-type: none"> 32 GB and 64 GB Serial ATA 3.1 | |
| | | | MLC type | <ul style="list-style-type: none"> 128 GB Serial ATA 3.1 | |
| | Drive bay (HDD/SSD) *1 | | 2 | 2 | 1 |
| Connectors | Power connector | | • 24 VDC | | |
| | I/O connector | | 2 inputs (Power ON/OFF Input and UPS Mode Input) and 1 output (Power Status Output) | | |
| | USB2.0 Type-A | Number of ports | | 2 | |
| | | Maximum current | | 500 mA | |
| | | Maximum cable length | | 5 m | |
| | USB3.0 Type-A | Number of ports | | 2 | |
| | | Maximum current | | 900 mA | |
| | | Maximum cable length | | 3 m | |
| | Ethernet connectors | Number of available ports | | 3 | |
| | | Physical layer | | 10BASE-T, 100BASE-TX or 1000BASE-T | |
| DVI-I connector | Video interface | | Digital or analog | Digital only | |
| | Resolution | | Up to 1,920 x 1,200 pixels at 60 Hz | | |
| | Maximum DVI cable length | | Dependent upon connected monitor type and resolution | | |
| Optional connector (select one per system) | RS-232C | | Standard SUBD9 connector (Non-Isolated) | | |
| | DVI-D | Video interface | | Digital only | |
| | | Resolution | | Up to 1,920 x 1,200 pixels at 60 Hz | |
| | | Maximum DVI cable length | | Dependent upon connected monitor type and resolution | |
| | NY Monitor Link | Video interface | | Digital only | |
| | | Resolution | | 1,280 x 800 pixels at 60 Hz | |
| | | Connector type | | RJ45 | |
| Cable shielding, type and max. length | | S/FTP, Cat.6A, 100 m | | | |
| USB data throughput | | 280 Mbps max. | | | |
| PCIe Card Slot | Configuration | | X4 (4 lanes) up to Gen 3 | X1 (1 lane) up to Gen 2 | |
| | Card height | | Standard height cards, 4.20 inches (106.7 mm) *2 | | |
| | Card length | | Half length cards, 6.6 inches (167.65 mm) | | |
| Battery | Model | | CJ1W-BAT01 | | |
| | Service life | | 5 years at 25°C | | |
| Fan unit | Model | | NY000-AF00 | | |
| | Service life | | 70,000 hours of continuous operation at 40°C with 15% to 65% relative humidity | | |
| LED | | PWR, ERR, HDD, RUN | | | |

*1. Depending on the model one or two drives are supported.

*2. Low profile cards, 2.536 inches (64.4 mm) are not supported.

Display Specifications

| Item | | Specifications | | |
|---------|--|----------------------------|---|--------------------------------------|
| | | 12.1 Inch models | 15.4 Inch models | |
| Display | Display panel *1 | Display device | TFT LCD | |
| | | Screen size | 12.1 inches | 15.4 inches |
| | | Surface treatment | Anti glare treatment | |
| | | Surface hardness | Mohs scale: 5 - 6 | |
| | | Resolution | 1,280 × 800 pixels at 60 Hz (horizontal × vertical) | |
| | | Colors | 16,770,000 colors | |
| | | Effective display area | 261 × 163 mm (horizontal × vertical) | 331 × 207 mm (horizontal × vertical) |
| | | View angles | Left: 60°, Right: 60°, Top: 60°, Bottom: 60° | |
| | | Life | 50,000 hours min. *2 | |
| | Brightness adjustment | 200 levels *3 | | |
| | Touch | Technology | Projected capacitive | |
| | | Touch resolution | Touch accuracy 1.5% (4-5 mm) | |
| | | Multitouch | Up to 5 simultaneous touches | |
| | | Features | Water detection *4, hand palm rejection *5, gloves *6 | |
| Life | | 50,000,000 operations min. | | |
| EMC | Correct touchscreen operation is possible within allowable EMC immunity conditions | | | |

*1. There may be some defective pixels in the display. This is not a fault as long as the numbers of defective light and dark pixels fall within the following standard range: light and dark pixels 10 or less. (There must not be 3 consecutive light/dark pixels.)

*2. This is the estimated time before brightness is reduced by half at room temperature and humidity. The life expectancy is drastically shortened if used at high temperatures.

*3. If the brightness is set to very dark, it causes flickering or the screen will be too dark to use.

*4. If water is detected the touch functionality will not be available.

*5. If a palm is detected that specific area is neglected.

*6. The touchscreen can be operated when wearing gloves. Check correct usage of the gloves before using them.

Electrical Specifications

| Item | | Specifications | |
|--------------------------------------|---|---|------------------|
| | | 12.1 Inch models | 15.4 Inch models |
| Rated power supply voltage | | 24 VDC, non-isolated | |
| Allowable power supply voltage range | | 20.4 to 28.8 VDC | |
| Grounding method | | Ground to less than 100 Ω | |
| Inrush current | | At 24 VDC: 12 A / 6 ms max. for cold start at room temperature | |
| Overvoltage category | | JIS B3502 and IEC 61131-2: Category II | |
| EMC immunity level | | IEC 61131-2: Zone B | |
| RTC accuracy | | At ambient temperature of 55°C: -3.5 to +0.5 min error per month At ambient temperature of 25°C: -1.5 to +1.5 min error per month At ambient temperature of 0°C: -3 to +1 min error per month | |
| Power button life | | 100,000 operations | |
| Battery life | | 5 years at 25°C (for battery CJ1W-BAT01) | |
| Fan life | | 8 years of continuous operation at 40°C | - |
| Power consumption * | Maximum power consumption including drives and expansions | Intel® Core™ i7-4700EQ CPU | 132 W |
| | | Intel® Core™ i5-4300U CPU | 93 W |
| | | Intel® Celeron® 2980U CPU | 84 W |
| | Maximum power consumption excluding drives and expansions | Intel® Core™ i7-4700EQ CPU | 99 W |
| | | Intel® Core™ i5-4300U CPU | 70 W |
| | | Intel® Celeron® 2980U CPU | 63 W |
| | Drives | HDD 320 GB | 2 W |
| | | SSD SLC 32 GB | 2 W |
| | | SSD SLC 64 GB | 2 W |
| | | SSD MLC 128 GB | 2 W |
| Expansions | USB | 14 W max. ((2 x 500 mA at 5 V) + (2 x 900 mA at 5 V)) | |
| | PCIe | Intel® Core™ i7-4700EQ CPU | 15 W max. |
| | | Intel® Core™ i5-4300U CPU | 5 W max. |
| Intel® Celeron® 2980U CPU | | | |

Note: Refer to the *Industrial Panel PC User's Manual (W555)* for detail.

* The total power consumption is the sum of the power consumption of all items that are installed in your Industrial Panel PC.

The required supply specifications for an Industrial Panel PC with an Intel® Core™ i7-4700EQ CPU.

| Item | Minimum power requirements |
|--------------|----------------------------|
| Power supply | 240 W |
| UPS | 120 W |

The required supply specifications for an Industrial Panel PC with an Intel® Core™ i5-4300U CPU or Intel® Celeron® 2980U CPU.

| Item | Minimum power requirements |
|--------------|----------------------------|
| Power supply | 120 W |
| UPS | 120 W |

Components and functions

The intent behind our IPC platform is to empower engineers to become unstoppable in developing machines and factories that are better, faster and safer by giving them the freedom and flexibility to explore the opportunities provided by modern IT. In line with Omron's traditional quality standards, the Industrial Panel PC is designed to meet the demands of industrial users for maximum robustness and reliability.

Powerful CPU options

Three powerful CPU options provide high performance for various applications.

Fanless cooling for multiple CPU types

The Industrial Panel PC has passive cooling for multiple CPU types which means no moving parts and less maintenance effort.

Easy access to storage devices and the PCI Express Card

Adding or changing storage devices (HDD, SSD) and the PCI Express Card is fast and simple.

LED indicators



DVI-I video interface

3 1Gbps Ethernet ports

Built-in IO

4 USB ports

Built-in SD Memory Card slot

LCD touchscreen

Multi-touch functionality

Up to 5 simultaneous touches are supported for complex functions.

Environmental Specifications

| Item | | Specifications |
|-------------------------|---|---|
| Operation environment | Ambient operating temperature *1 | 0 to 55°C |
| | Ambient storage temperature *1 | -20 to 70°C |
| | Ambient operating humidity *1 | 10% to 90% with no condensation |
| | Ambient storage humidity *1 | 10% to 90% with no condensation |
| | Operating atmosphere | No corrosive gases |
| | Altitude | 2,000 m max. |
| | Noise resistance (during operation) | Conforms to IEC61000-4-4, 2kV (power lines) |
| | Vibration resistance (during operation) | The vibration resistance depends on the storage device(s): <ul style="list-style-type: none"> For a Panel PC with only SSD storage devices: 5 to 8.4 Hz with 3.5 mm single amplitude and 8.4 to 150 Hz with 9.8 m/s² for 10 times each in X, Y and Z directions. Conforms to IEC 60068-2-6. For a Panel PC with one or more HDD storage devices the Panel PC must be installed in a vibration free environment. *2 |
| | Shock resistance (during operation) | Conforms to IEC 60068-2-27. 147 m/s ² , 3 times in each X, Y and Z directions |
| | Installation method | Mount on panel |
| Degree of protection | Front of Monitor: IP65 *3 | |
| Pollution degree | 2 or less: Conforms to JIS B3502 and IEC 61131-2. | |
| Applicable standards *4 | EU Directives: EMC Directive 2014/30/EU (EN 61131-2) and RoHS Directive KC Registration, RCM, cULus | |

*1. The allowed ambient operating temperature and ambient humidity depend on product type, CPU type, mounting orientation, and storage device type.

*2. A Panel PC with one or more HDD storage devices should not be used in applications subject to vibration.

Examples of applications subject to vibration:

- AGV (Automated Guided Vehicles)
- Rail vehicle
- Stacker crane
- Elevator
- Tableting machine
- Connector pin assembling machine
- Bending machine

Ensure your Panel PC with HDD does not vibrate. When in doubt use a Panel PC with SSD storage devices.

*3. The Panel PC may not operate properly in locations subjected to oil splashes for extended periods of time.

*4. Refer to the OMRON website (www.ia.omron.com) or contact your OMRON representative for the most recent applicable standards for each model.

Storage Device Specifications

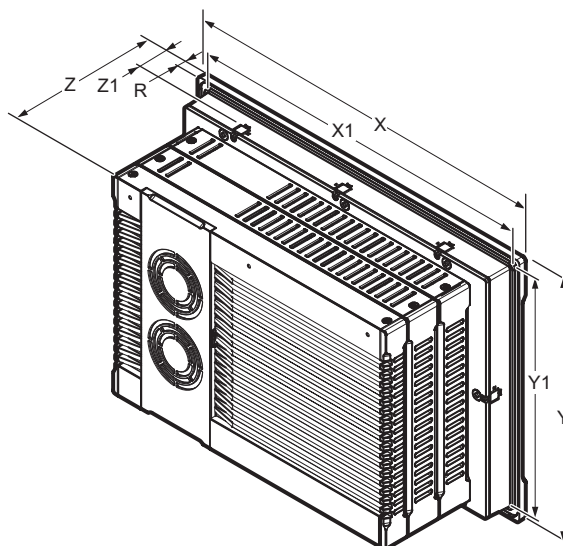
| Item | Specifications | | | |
|--------------------------------|---|---|--|---|
| | NY000-AS00 | NY000-AS01 | NY000-AS02 | NY000-AH00 *1 |
| Model | NY000-AS00 | NY000-AS01 | NY000-AS02 | NY000-AH00 *1 |
| Capacity | 32 GB | 64 GB | 128 GB | 320 GB |
| Type | SSD (SLC) | | SSD (MLC) | HDD |
| S.M.A.R.T. support | Yes | | | |
| Rotation speed | - | | | 5,400 r/min |
| Interface | Serial ATA 3.1 | | | Serial ATA 3.0 |
| Sustained standard read speed | Up to 160 MB/s | | Up to 430 MB/s | - |
| Sustained standard write speed | Up to 150 MB/s | | Up to 190 MB/s | - |
| Operating temperature | 0 to 70°C | | | 5 to 55°C |
| Operating humidity | 10% to 95% (with no condensation) | | | <ul style="list-style-type: none"> • 10% to 95% (with no condensation) • 29°C wet-bulb temperature max. |
| Storage temperature | -40 to 100°C | | | -40 to 65°C |
| Storage humidity | 10% to 95% (with no condensation) | | | <ul style="list-style-type: none"> • 8% to 90% (with no condensation) • 40°C wet-bulb temperature max. |
| Life | 1,500 TB written / 11 years at a daily workload of 350 GB | 3,000 TB written / 23 years at a daily workload of 350 GB | 114 TB written / 3 years at a daily workload of 100 GB | Approximately 5 years or 20,000 powered-ON hours (whichever comes first) under the following conditions: <ul style="list-style-type: none"> • 25°C at 101.3 kPa • Less than 333 powered-ON hours/month *2 • Less than 20% operation while powered-ON *3 • Less than 1.30 x 10⁶ seeks/month |

*1. For a Panel PC with an HDD: this device can only be installed in a vibration free environment only.

*2. Powered-ON hours include sleep and standby modes.

*3. Operation includes seeking, writing, and reading functions.

Dimensions



| Item | Specifications | |
|-------------------------------------|---|---|
| | 12.1 Inch | 15.4 Inch |
| Panel preparation dimensions | Cutout Width X1 = 314 ⁻⁰⁺¹ mm Cutout Height Y1 = 216 ⁻⁰⁺¹ mm | Cutout Width X1 = 383 ⁻⁰⁺¹ mm Cutout Height Y1 = 259 ⁻⁰⁺¹ mm |
| Panel thickness range * | Panel thickness range Z1 = 1.6 to 6.0 mm | |
| Dimensions | Width X = 332 mm Height Y = 234 mm Depth Z = 121 mm | Width X = 401 mm Height Y = 277 mm Depth Z = 121 mm |
| Monitor thickness in front of panel | Rim thickness R = 8.0 mm | |
| Weight | 6.1 kg | 7.2 kg |

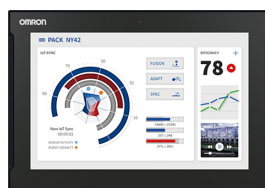
* The minimum panel thickness depends on the panel material.

Recommended Related Products



Industrial Box PC NY-series

The Industrial Box PC is designed to meet the specific needs of the industrial environment. Design simplification and future-proof architecture minimize the risk of failure.



Industrial Monitor NY-series

The Industrial Monitor is of key importance at the interface between operator and system. The Industrial Monitor is efficient, effective and highly visible with an attractive design.



UPS S8BA-series

The OMRON S8BA UPS protects the Industrial PC from power failures, voltage variations and instantaneous voltage drops.

Related Manuals

The following manuals are related. Use these manuals for reference.

| Manual name | Cat. No. | Model numbers | Application | Description |
|--|----------|--|--|--|
| Industrial Box PC User's Manual | W553 | NYB17-□1□□□□ NYB25-□1□□□□ NYB1C-□1□□□□ | Learning all basic information about the Industrial Box PC. This includes introductory information with features, hardware overview, software overview, specifications, mounting, wiring, connecting, operating and maintaining the Industrial Box PC. | An introduction to the Industrial Box PC is provided along with the following information: <ul style="list-style-type: none"> • Overview • Hardware • Software • Specifications • Installation • Operating Procedures • Maintenance |
| NY-Series Industrial Box-PC without OS User's Manual | W586 | NYB17-□10□□□ NYB25-□10□□□ NYB1C-□10□□□ | Learning about the Omron Industrial PC functionality without an installed Operating System | An introduction to the Industrial Box PC is provided along with the following information: <ul style="list-style-type: none"> • Overview • Hardware • Software • Specifications • Installation • Operating Procedures • Maintenance |
| Industrial Monitor User's Manual | W554 | NYM15WC10□□ NYM12WC10□□ | Learning all basic information about the Industrial Monitor. This includes introductory information with features, hardware overview, specifications, mounting, wiring, connecting, operating and maintaining the Industrial Monitor. | An introduction to the Industrial Monitor is provided along with the following information: <ul style="list-style-type: none"> • Overview • Hardware • Software • Specifications • Installation • Operating Procedures • Maintenance |
| Industrial Panel PC User's Manual | W555 | NYP17-□1□□□□-15WC100□ NYP17-□1□□□□-12WC100□ NYP25-□1□□□□-15WC100□ NYP25-□1□□□□-12WC100□ NYP1C-□1□□□□-15WC100□ NYP1C-□1□□□□-12WC100□ | Learning all basic information about the Industrial Panel PC. This includes introductory information with features, hardware overview, software overview, specifications, mounting, wiring, connecting, operating and maintaining the Industrial Panel PC. | An introduction to the Industrial Panel PC is provided along with the following information: <ul style="list-style-type: none"> • Overview • Hardware • Software • Specifications • Installation • Operating Procedures • Maintenance |
| NY-Series Industrial Panel-PC without OS User's Manual | W587 | NYP17-□10□□□-15WC100□ NYP17-□10□□□-12WC100□ NYP25-□10□□□-15WC100□ NYP25-□10□□□-12WC100□ NYP1C-□10□□□-15WC100□ NYP1C-□10□□□-12WC100□ | Learning about the Omron Industrial PC functionality without an installed Operating System | An introduction to the Industrial Panel PC is provided along with the following information: <ul style="list-style-type: none"> • Overview • Hardware • Software • Specifications • Installation • Operating Procedures • Maintenance |

| Manual name | Cat. No. | Model numbers | Application | Description |
|---------------------------|----------|---------------|--|---|
| UPS S8BA User's Manual | U702 | S8BA | Learning the information that is necessary to use the Uninterruptible Power Supply (UPS) Unit. | An introduction to the UPS is provided along with the following information: <ul style="list-style-type: none">• Overview• Preparation• Installation and Connection• Check and Start Operation• Maintenance and Inspection• Shutdown Processing• I/O Signal Functions• Troubleshooting |

Terms and Conditions Agreement

Read and understand this catalog.

Please read and understand this catalog before purchasing the products. Please consult your OMRON representative if you have any questions or comments.

Warranties.

(a) Exclusive Warranty. Omron's exclusive warranty is that the Products will be free from defects in materials and workmanship for a period of twelve months from the date of sale by Omron (or such other period expressed in writing by Omron). Omron disclaims all other warranties, express or implied.

(b) Limitations. OMRON MAKES NO WARRANTY OR REPRESENTATION, EXPRESS OR IMPLIED, ABOUT NON-INFRINGEMENT, MERCHANTABILITY OR FITNESS FOR A PARTICULAR PURPOSE OF THE PRODUCTS. BUYER ACKNOWLEDGES THAT IT ALONE HAS DETERMINED THAT THE PRODUCTS WILL SUITABLY MEET THE REQUIREMENTS OF THEIR INTENDED USE.

Omron further disclaims all warranties and responsibility of any type for claims or expenses based on infringement by the Products or otherwise of any intellectual property right. (c) Buyer Remedy. Omron's sole obligation hereunder shall be, at Omron's election, to (i) replace (in the form originally shipped with Buyer responsible for labor charges for removal or replacement thereof) the non-complying Product, (ii) repair the non-complying Product, or (iii) repay or credit Buyer an amount equal to the purchase price of the non-complying Product; provided that in no event shall Omron be responsible for warranty, repair, indemnity or any other claims or expenses regarding the Products unless Omron's analysis confirms that the Products were properly handled, stored, installed and maintained and not subject to contamination, abuse, misuse or inappropriate modification. Return of any Products by Buyer must be approved in writing by Omron before shipment. Omron Companies shall not be liable for the suitability or unsuitability or the results from the use of Products in combination with any electrical or electronic components, circuits, system assemblies or any other materials or substances or environments. Any advice, recommendations or information given orally or in writing, are not to be construed as an amendment or addition to the above warranty.

See <http://www.omron.com/global/> or contact your Omron representative for published information.

Limitation on Liability; Etc.

OMRON COMPANIES SHALL NOT BE LIABLE FOR SPECIAL, INDIRECT, INCIDENTAL, OR CONSEQUENTIAL DAMAGES, LOSS OF PROFITS OR PRODUCTION OR COMMERCIAL LOSS IN ANY WAY CONNECTED WITH THE PRODUCTS, WHETHER SUCH CLAIM IS BASED IN CONTRACT, WARRANTY, NEGLIGENCE OR STRICT LIABILITY.

Further, in no event shall liability of Omron Companies exceed the individual price of the Product on which liability is asserted.

Suitability of Use.

Omron Companies shall not be responsible for conformity with any standards, codes or regulations which apply to the combination of the Product in the Buyer's application or use of the Product. At Buyer's request, Omron will provide applicable third party certification documents identifying ratings and limitations of use which apply to the Product. This information by itself is not sufficient for a complete determination of the suitability of the Product in combination with the end product, machine, system, or other application or use. Buyer shall be solely responsible for determining appropriateness of the particular Product with respect to Buyer's application, product or system. Buyer shall take application responsibility in all cases.

NEVER USE THE PRODUCT FOR AN APPLICATION INVOLVING SERIOUS RISK TO LIFE OR PROPERTY OR IN LARGE QUANTITIES WITHOUT ENSURING THAT THE SYSTEM AS A WHOLE HAS BEEN DESIGNED TO ADDRESS THE RISKS, AND THAT THE OMRON PRODUCT(S) IS PROPERLY RATED AND INSTALLED FOR THE INTENDED USE WITHIN THE OVERALL EQUIPMENT OR SYSTEM.

Programmable Products.

Omron Companies shall not be responsible for the user's programming of a programmable Product, or any consequence thereof.

Performance Data.

Data presented in Omron Company websites, catalogs and other materials is provided as a guide for the user in determining suitability and does not constitute a warranty. It may represent the result of Omron's test conditions, and the user must correlate it to actual application requirements. Actual performance is subject to the Omron's Warranty and Limitations of Liability.

Change in Specifications.

Product specifications and accessories may be changed at any time based on improvements and other reasons. It is our practice to change part numbers when published ratings or features are changed, or when significant construction changes are made. However, some specifications of the Product may be changed without any notice. When in doubt, special part numbers may be assigned to fix or establish key specifications for your application. Please consult with your Omron's representative at any time to confirm actual specifications of purchased Product.

Errors and Omissions.

Information presented by Omron Companies has been checked and is believed to be accurate; however, no responsibility is assumed for clerical, typographical or proofreading errors or omissions.

2017.6

In the interest of product improvement, specifications are subject to change without notice.

OMRON Corporation
Industrial Automation Company

<http://www.ia.omron.com/>

(c)Copyright OMRON Corporation 2017 All Right Reserved.