

Single-beam Safety Sensor E3ZS/E3FS

CSM_E3ZS_E3FS_DS_E_10_4

Detects Intrusions into Hazardous Areas with a Single Beam and Complies with International Safety Standards.



! Be sure to read the "Safety Precautions" on page 13.

For the most recent information on models that have been certified for safety standards, refer to your OMRON website.

Note: Manufacturing of the E3FS listed in this datasheet was discontinued at the end of August 2016.

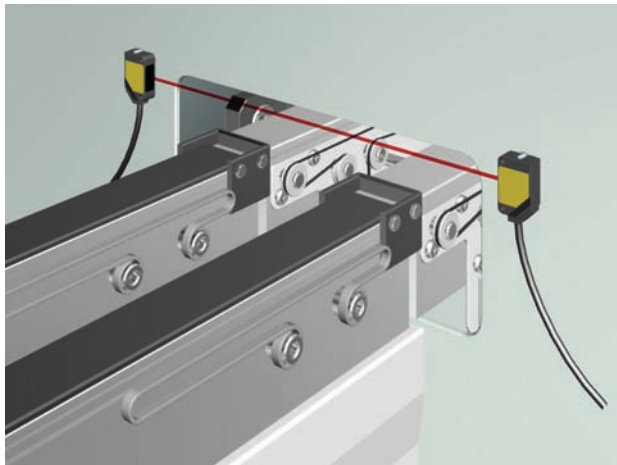
Features

Connect to a G9SP to Create a Type 2 Safety Sensor



Application Examples

For gaps in small-sized equipment



Protect personnel from the hazards of gaps in small-sized equipment or of semi-automated machinery.

The E3ZS is a Human Body Detection Sensor (Type 2) for production equipment. Make sure to use it in combination with an G9SP Safety Controller.

When used by itself, the E3ZS conforms to PLc/Safety Category 1 (EN ISO13849-1). No particular safety restrictions apply to the G9SP when used by itself, except the inability to use in human detection safety applications. We recommend using it in Light ON mode and using it with error detection via test input.

Note: Test Input

Use this function to enable the emitter of E3ZS to be turned ON/OFF from outside. It is possible to detect a number of E3ZS errors by monitoring the status of the test input and the E3ZS output signal.

For gaps in small to medium-sized equipment






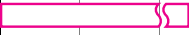


Use as a safety measure for protection from hazardous gaps or as guards for medium-sized equipment.

The E3FS is a Human Body Detection Sensor (Type 2) for production equipment. Make sure to use it in combination with a G9SP Safety Controller.

Ordering Information

Sensors

 Red light  Infrared light

Sensor method	Appearance	Case material	Sheath material	Connection method	Sensing distance	Output	Model
Through-beam		Polybutylene terephthalate	PVC	Pre-wired cable (2 m)	 0.2 to 3 m	PNP	E3ZS-T81A
		ABS			 10 m		E3FS-10B4 2M *
		Brass	---	M12 connector	 10 m		E3FS-10B4-M1-M *

* Manufacturing has been discontinued.

Controller


Safety Controller G9SP Series

Name	No. of I/O points				Unit version	Model
	Safety inputs	Test outputs	Safety outputs	Standard outputs		
Safety Controller	10	4	Semiconductor outputs: 4	4	Ver.2.0	G9SP-N10S
	10	6	Semiconductor outputs: 16	---		G9SP-N10D
	20	6	Semiconductor outputs: 8	---		G9SP-N20S


Note: For details, refer to the G9SP Catalog (F090).

Accessories


Branch Connector

Appearance	Model
	F39-CN3

Sensor Mounting Bracket (for E3FS)

Appearance	Model
	Y92E-B18

Sensor Mounting Bracket (for E3ZS)

Appearance	Model
	E39-L104

Mutual Interference Prevention Filter (for E3ZS)

Dimensions	Model	Quantity	Remarks
	E39-E11	2 per Emitter and Receiver (4 total)	For use with E3ZS-T81A. This filter prevents mutual interference by changing the direction of polarized light of the 2 adjacent Emitter/Receivers. However, when the filter is attached, the maximum sensing distance of the E3ZS is reduced to 1.5 m.

Cables with Connectors (Socket and Plug) on Both Ends (for extension)

Type	Cable connection direction	Cable length L (m)	DC	UL standard
			Model	
Fire-retardant, robot cable	Straight/straight	1	XS2W-D421-C81-F	●
		2	XS2W-D421-D81-F	
		5	XS2W-D421-G81-F	
		10	XS2W-D421-J81-F	
	Right angle/right angle	2	XS2W-D422-D81-F	
		5	XS2W-D422-G81-F	
	Straight/right angle	2	XS2W-D423-D81-F	
		5	XS2W-D423-G81-F	
	Right angle/straight	2	XS2W-D424-D81-F	
		5	XS2W-D424-G81-F	

Note: Extend the cable under the following conditions.

- Overall cable length for both an E3FS Receiver connected to an G9SP and the Emitter connected to the G9SP must be within 50 m.
- Overall cable length for both an E3ZS Receiver connected to an G9SP and the Emitter connected to the G9SP must be within 100 m.

Cables with Connector (Socket) on One End (connecting to G9SP)

Type	Cable connection direction	Cable length L (m)	DC	UL standard
			Model	
Fire-retardant, robot cable	Straight	1	XS2F-D421-C80-F	●
		2	XS2F-D421-D80-F	
		5	XS2F-D421-G80-F	
		10	XS2F-D421-J80-F	
	Right angle	1	XS2F-D422-C80-F	
		2	XS2F-D422-D80-F	
		5	XS2F-D422-G80-F	
		10	XS2F-D422-J80-F	

Note: Extend the cable under the following conditions.

- Overall cable length for both an E3FS Receiver connected to an G9SP and the Emitter connected to the G9SP must be within 50 m.
- Overall cable length for both an E3ZS Receiver connected to an G9SP and the Emitter connected to the G9SP must be within 100 m.

Connector Plug Assemblies, Solder Type *

Applicable cable diameter (mm)	Cable connection direction	Connection method	Model
3 dia. (3 to 4 dia.)	Straight	Solder	XS2G-D425
	Right angle		XS2G-D426

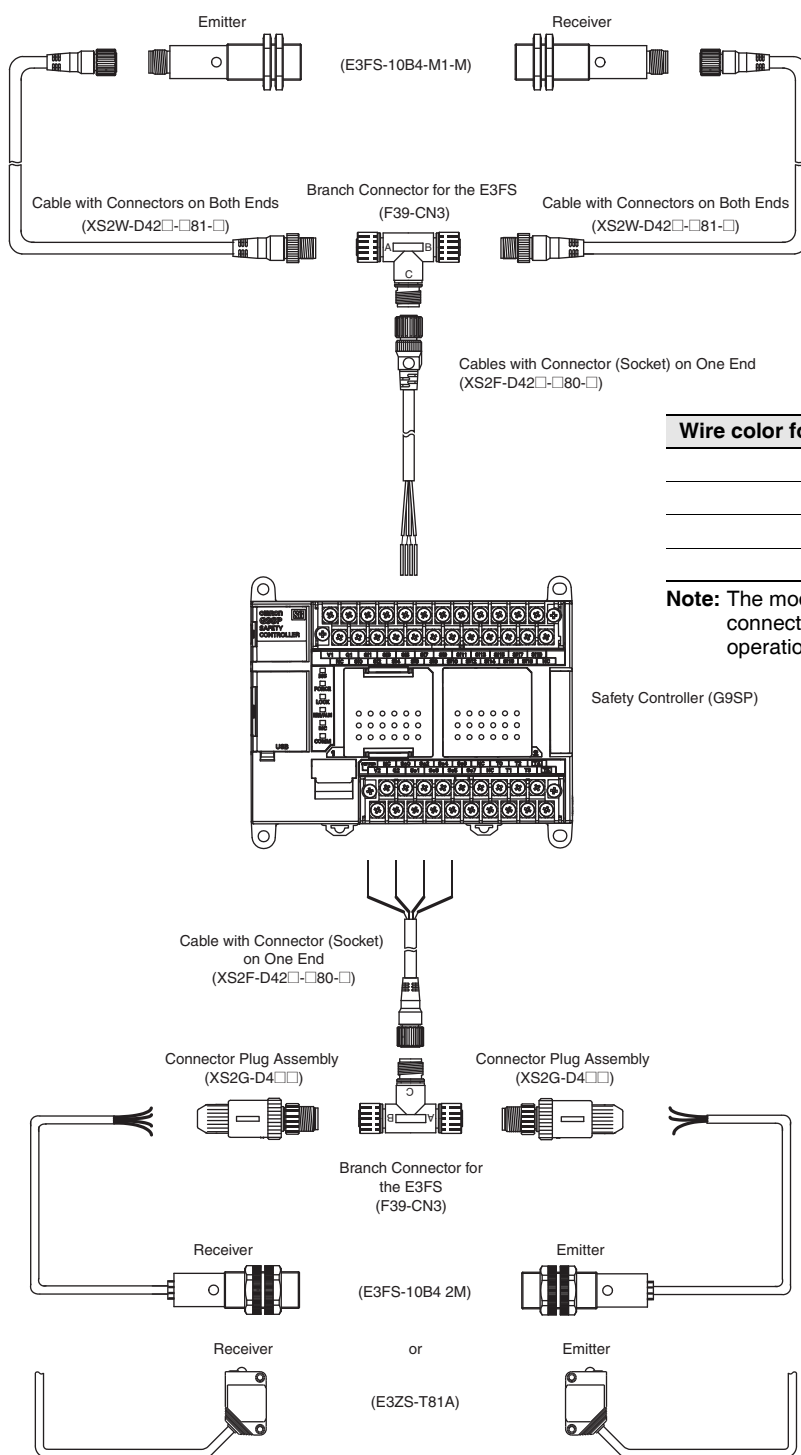
* Use when connecting an E3ZS-T81A or E3FS-10B4 2M to an F39-CN3 Branch Connector.

Connector Plug Assemblies, Screw-on Type *

Applicable cable diameter (mm)	Cable connection direction	Connection method	Model
3 dia. (3 to 4 dia.)	Straight	Screw-on	XS2G-D4S5
	Right angle		XS2G-D4S6

* Use when connecting an E3ZS-T81A or E3FS-10B4 2M to an F39-CN3 Branch Connector.

System Configuration



Wire color for XS2F-D42□-□80-□	Function
White	Test input
Black	Control input
Blue	0V
Brown	24V

Note: The mode selection input wire of the E3FS is connected to 24 V inside the F39-CN3. Light-ON operation is performed.

Specifications

E3ZS/E3FS

Item	Model	E3ZS-T81A	E3FS-10B4 2M	E3FS-10B4-M1-M
Sensor type		Through-beam models		
Safety category		See Applicable standards.		
Standard sensing object		Opaque object: 18 mm in diameter or greater	Opaque object: 11 mm in diameter or greater	
Lens diameter		Diameter 6.7 mm / diameter 9 mm		
Sensing distance		0.2 to 3 m	0 to 10 m	
Response time (under stable light incident condition)		1.0 ms (E3ZS only)	2.0 ms (E3FS only)	
Startup waiting time		100 ms		
Power supply voltage (Vs)		12 to 24 VDC±10% (ripple p-p 10% max.) *1	24 VDC±10% (ripple p-p 10% max.) *1	
Current consumption (no load)		Emitter: 15 mA max. Receiver: 20 mA max.	Emitter: 50 mA max. Receiver: 25 mA max.	
Light source (emitted wavelength)		Red LED (660 nm)	Infrared LED (870 nm)	
Effective aperture angle (EAA)		±5° (at 3 m)		
Control output (OSSD)		PNP transistor output, load current: 100 mA max., Residual voltage: 1 V max., (when load current is less than 10 mA), Residual voltage: 2 V max. (when load current is between 10 mA and 100 mA) (except for voltage drop due to cable extension) *1	PNP transistor output, load current: 100 mA max., Residual voltage: 2 V max. (except for voltage drop due to cable extension) *1	
Output operation mode		Light-ON *2		
Input voltage		22.5 to 24 VDC: Emitter OFF (source current: 3 mA max.) Open or 0 to 2.5 V: Emitter ON (leakage current: 0.1 mA max.) *1	21.5 to 24 VDC: Emitter OFF (source current: 3 mA max.) Open or 0 to 2.5 V: Emitter ON (leakage current: 0.1 mA max.) *1	
Indicators		Emitter: Emitting (orange); Receiver: Operation (orange), Stable (green)	Emitter: Emitting (orange); Receiver: Output OFF (red), Output ON (green)	
Test functions		External test (light emission stop function by test input)		
Connection method		Pre-wired cable (2 m)	M12 connector	
Protective circuits		Power supply/output reverse connection protection, load short-circuit protection	Output reverse connection protection, load short-circuited protection	
Ambient temperature		Operating: -10 to 55°C Storage: -10 to 70°C (with no icing or condensation)	Operating: -20 to 55°C Storage: -30 to 70°C (with no icing or condensation)	
Ambient humidity		Operating: 35% to 85%, storage: 35% to 95% (with no icing or condensation)		
Ambient operating light intensity		Incandescent lamp: 3000 lx max (light intensity on the receiver surface). Sunlight: 10,000 lx max (light intensity on the receiver surface).		
Insulation resistance		20 MΩ min. (at 500 VDC)		
Dielectric strength		1000 VAC 50/60 Hz 1 min		
Degree of protection		IP67 (IEC standard)		
Vibration resistance	Operating limit	10 to 55 Hz, double amplitude: 0.7 mm, 50 min each in the X, Y, and Z directions		
	Malfunction	10 to 55 Hz, double amplitude: 1.5 mm, 2 h each in the X, Y, and Z directions		
Shock resistance	Operating limit	100 m/s ² , 1000 times in the X, Y, and Z directions		
	Malfunction	500 m/s ² , 3 times each in the X, Y, and Z directions		
Material		Case: Polybutylene terephthalate	Case: ABS	Case: Brass
Weight (packed state)		Approx. 120 g (for one set including 2-m cable)	Approx. 150 g (for one set including 2-m cable)	Approx. 125 g (for one set including only Sensor)
Accessories		Operation manual	Operation manual, nuts for mounting Emitter/Receiver (2 each)	
Applicable standards	Sensor only	IEC 60947-5-3 (PDDb) EN ISO13849-1 (PLc/Safety Category 1)	---	
	Sensor connected to G9SP	IEC(EN)61496-1 Type2 ESPE *3 IEC (EN)61496-2 Type2 AOPD *4 EN ISO13849-1 (PLc/Safety Category 2)	---	
Switching element category (from IEC60947-5-3)		DC13 (control of electromagnetic load)	---	

*1. Connect the Sensor to an G9SP to use it as a safety device or as part of a safety system.

*2. Depending on the wiring, this may turn ON when light is interrupted.

For your safety, be sure to connect the pink receiver wire (mode selection input) to 24 VDC to turn ON when light is incident.

*3. Electro-Sensitive Protective Equipment

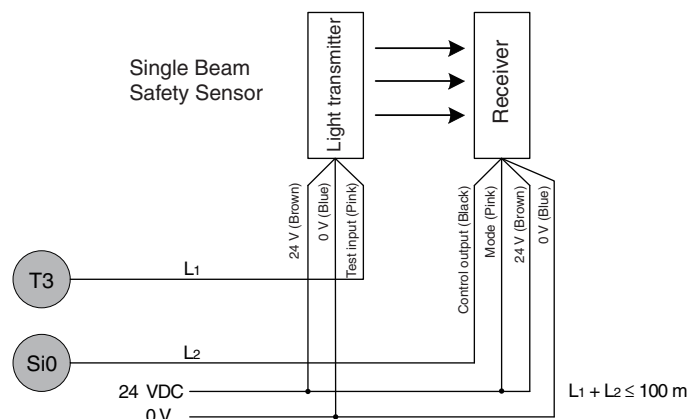
*4. Active Opto-electronic Protective Device

Connections

Circuit Diagram Example

This section describes connecting an OMRON Safty Controller G9SP.

The OSSD 24-VDC semiconductor output from the Single Beam Safety Sensor is input.



G9SP Configurator Setting Example

Ter...	Name of settings	I/O Comment	Test Source
Si0	Single Beam Safety ...	Single Beam	T3

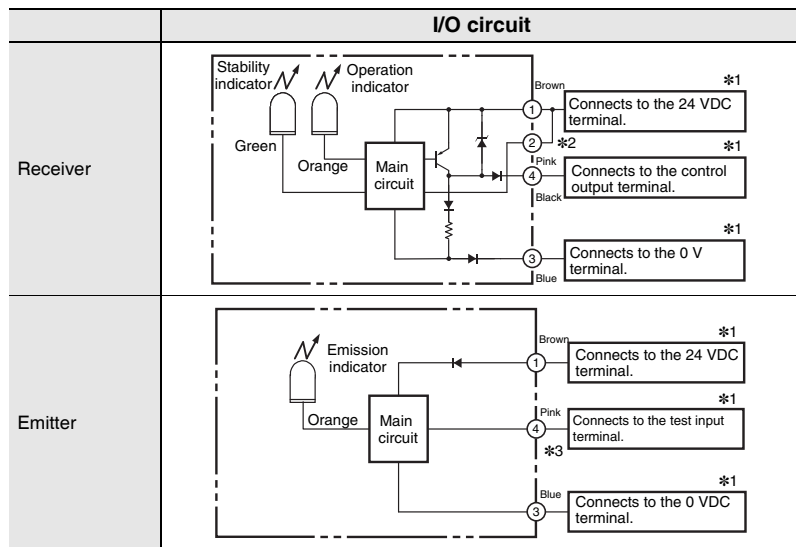
- Note: 1.** Only one E3ZS/E3FS Single Beam Safety Sensor can be connected to a G9SP-series Safety Controller with unit version 1.0 or unit version 1.1.
The maximum number of E3ZS/E3FS Single Beam Safety Sensors that can be connected to a G9SP-series Safety Controller with unit version 2.0 or later is as follows:
G9SP-N10S: 4 (1 Sensor · 4 systems)
G9SP-N10D/20S: 6 (1 Sensor · 6 systems)
- The total wiring length ($L_1 + L_2$ in the above figure) for the E3ZS Single Beam Safety Sensor must be 100 m or less and for the E3FS Single Beam Safety Sensor must be 50 m or less.
 - The E3ZS/E3FS Single Beam Safety Sensor can be used in a Safety Category 2 or lower, or PLC or lower application. It cannot be used in a Safety Category 3 or higher, or PLd or higher application.
 - If you use more than one Single Beam Safety Sensor, it may not be possible to detect short circuits between wires. To satisfy safety category 2, you must protect the cables to the Single Beam Safety Sensors from external damage. Use ducts, separate the cables for each system, or implement other measures to protect the cables from external damage when you connect the Single Beam Safety Sensors. You can also provide protection against short circuits by using special cables (XS2F).
 - The test period for a Single Beam Safety Sensor test is as given below. Use the value as reference to determine conformance with standards for your system.
G9SP-N10S: $112 \times$ Cycle time (ms)
G9SP-N10D/20S: $168 \times$ Cycle time (ms)

I/O Circuit Diagrams

E3ZS

Circuit Diagrams (E3ZS-T81A with PNP Output)

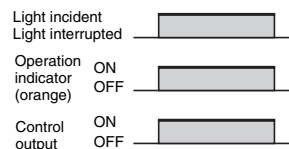
Output mode: ON when light is incident (Light ON)



- *1. When using in Safety Category 2 or Type 2 ESPE configurations, make sure all terminals on a safety controller are properly connected. See the safety controller operation manual for details.
- *2. Make sure to connect the pink wire (mode selection input 2) to 24 VDC.
- *3. Make sure to connect to the 0V terminal when the E3ZS is not connected to a safety controller and the test input is not used.

Timing Charts

Output Modes and Timing Chart



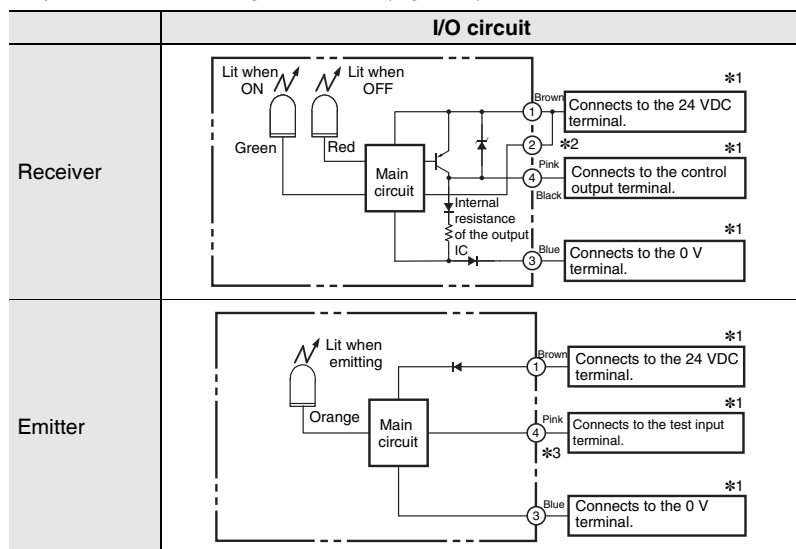
Emitter Timing Chart



E3FS

Circuit Diagrams (E3FS-10B4□□□□ with PNP Output)

Output mode: ON when light is incident (Light ON)

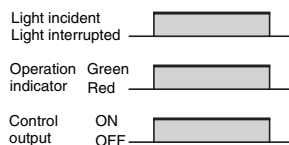


- *1. Make sure all terminals on the G9SP are properly connected. Do not connect the terminals to another Module. See the G9SP operation manual for details.
- *2. Make sure to connect the pink wire (mode selection input 2) to 24 VDC.
- *3. Make sure to connect to the 0V terminal when the E3FS is not connected to an G9SP and the test input is not used.

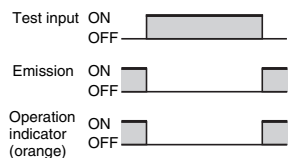
Note: The E3FS-10B4□□□□ functions as a standalone Sensor when it is connected as shown in the wiring diagram above. However, it is certified a Type 2 Safety Sensor when it is properly connected to the B1 Module of the G9SP. This also means it must be properly connected to an G9SP to use it as part of a safety system.

Timing Charts

Output Modes and Timing Chart



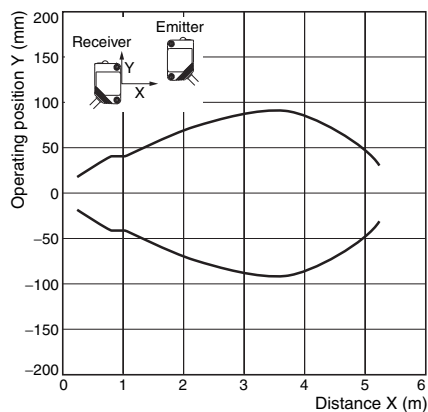
Emitter Timing Chart



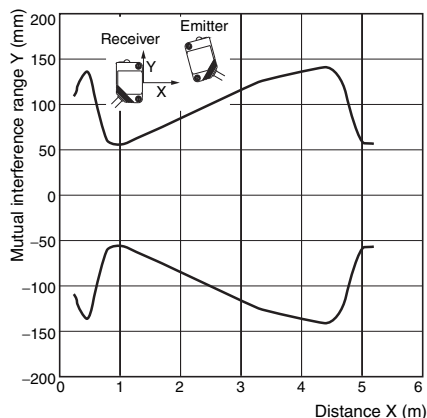
Engineering Data

E3ZS

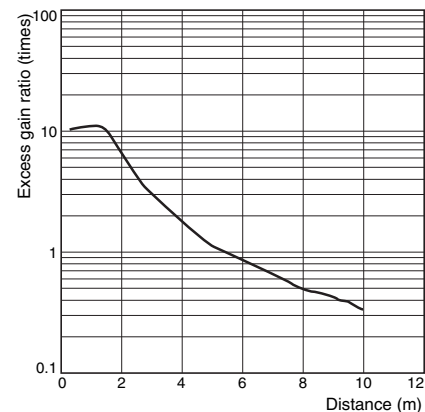
Parallel Operating Range



Mutual Interference Range

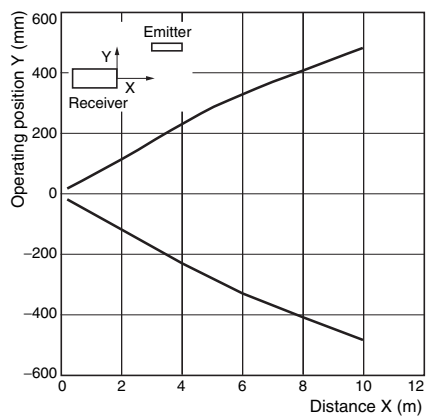


Excess Gain Ratio

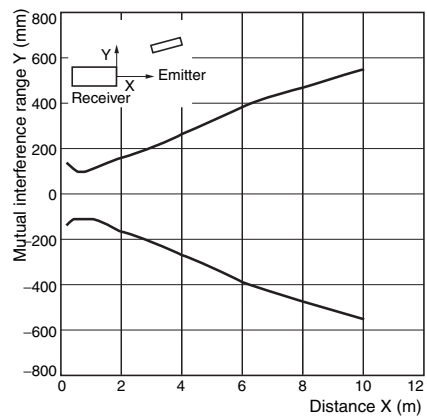


E3FS

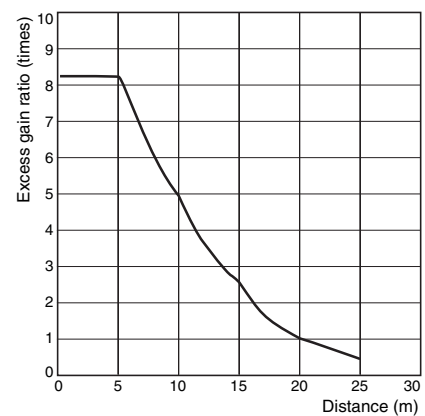
Parallel Operating Range



Mutual Interference Range



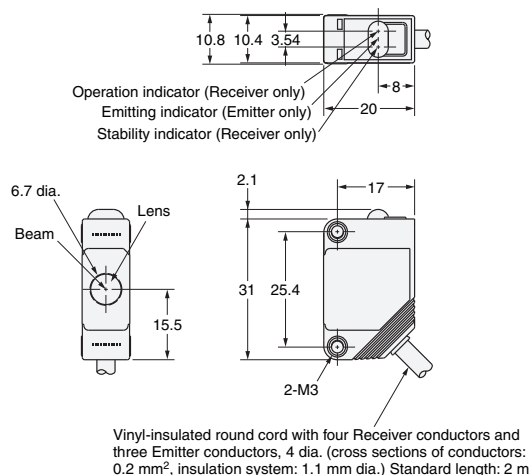
Excess Gain Ratio



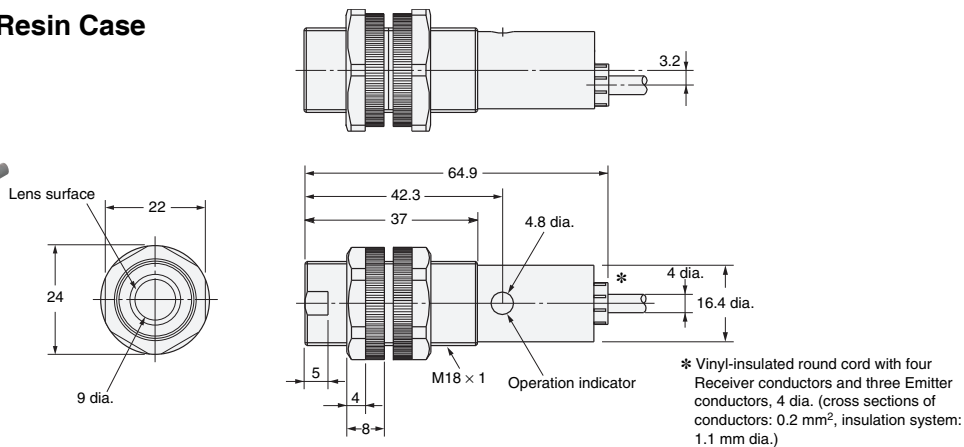
Dimensions

Sensors

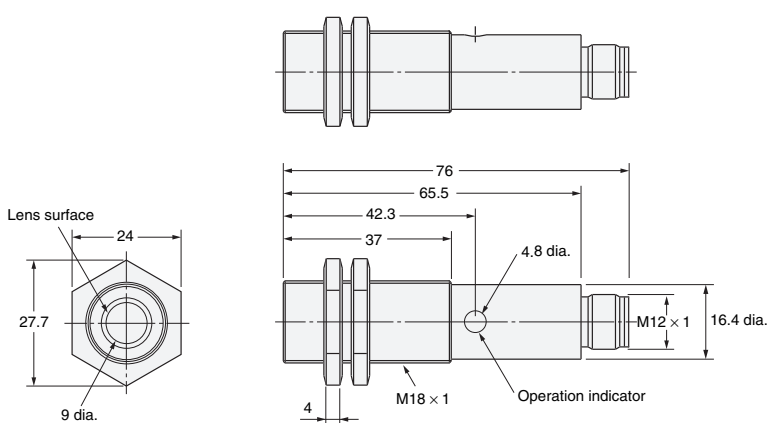
Pre-wired Cable with ABS Resin Case E3ZS-T81A



Pre-wired Cable with ABS Resin Case E3FS-10B4 2M

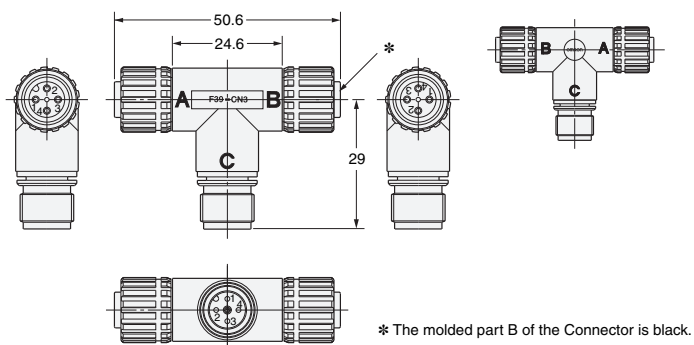
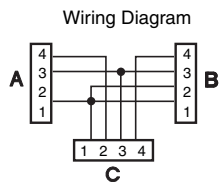


Connector with Metal Case E3FS-10B4-M1-M



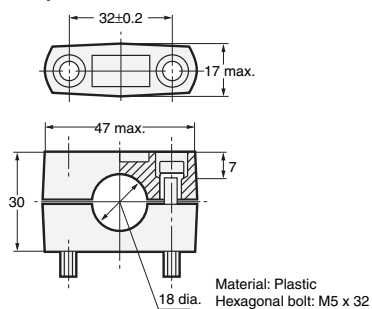
Accessories (Order Separately)

Branch Connector
F39-CN3



Sensor Mounting Bracket (for E3FS)

Y92E-B18

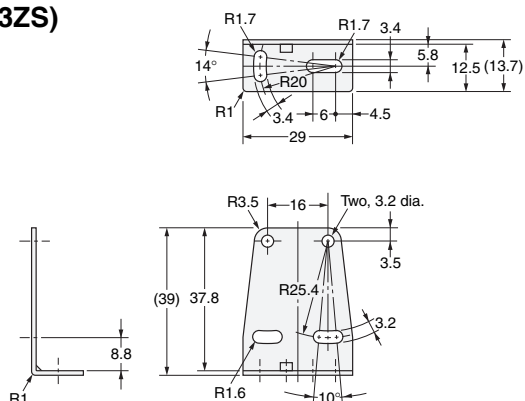


Sensor Mounting Bracket (for E3ZS)

E39-L104



Material: Stainless steel (SUS304)



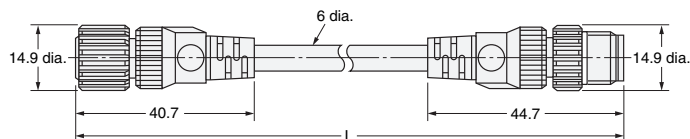
Cables with Connectors (Socket and Plug) on Both Ends (for extension)

XS2W-D421-C81-F (L=1m)

XS2W-D421-D81-F (L=2m)

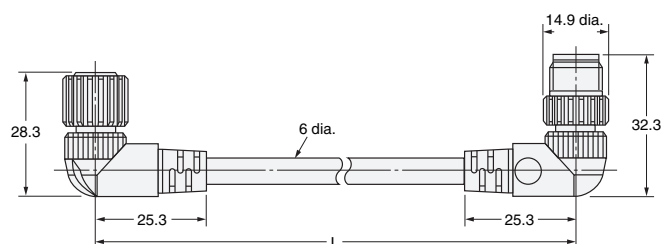
XS2W-D421-G81-F (L=5m)

XS2W-D421-J81-F (L=10m)



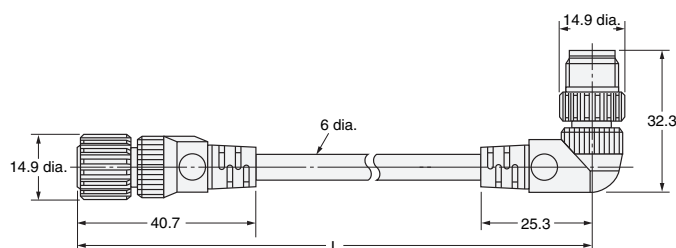
XS2W-D422-D81-F (L=2m)

XS2W-D422-G81-F (L=5m)



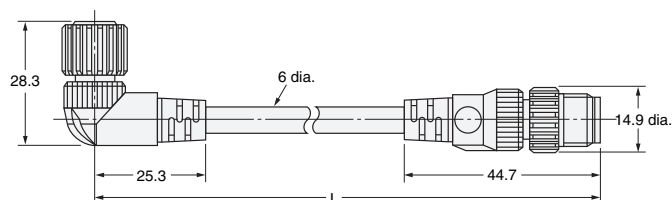
XS2W-D423-D81-F (L=2m)

XS2W-D423-G81-F (L=5m)



XS2W-D424-D81-F (L=2m)

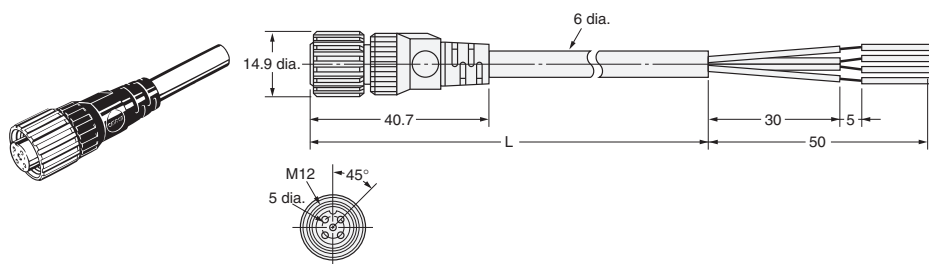
XS2W-D424-G81-F (L=5m)



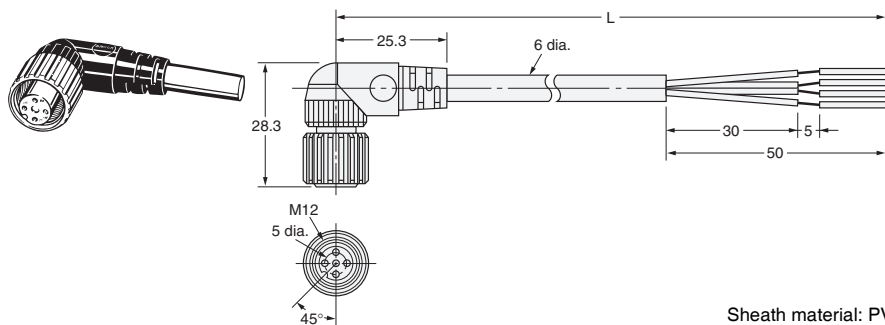
Sheath material: PVC

Cables with Connector (Socket) on One End (connecting to G9SP)

- XS2F-D421-C80-F (L=1m)
- XS2F-D421-D80-F (L=2m)
- XS2F-D421-G80-F (L=5m)
- XS2F-D421-J80-F (L=10m)



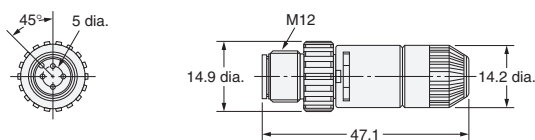
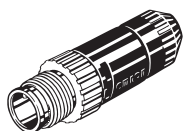
- XS2F-D422-C80-F (L=1m)
- XS2F-D422-D80-F (L=2m)
- XS2F-D422-G80-F (L=5m)
- XS2F-D422-J80-F (L=10m)



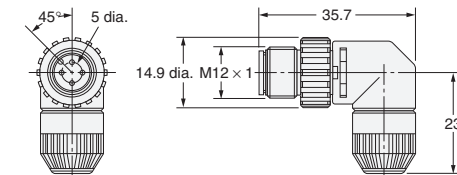
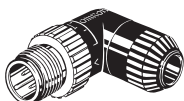
Sheath material: PVC

Connector Plug Assemblies, Solder Type

XS2G-D425

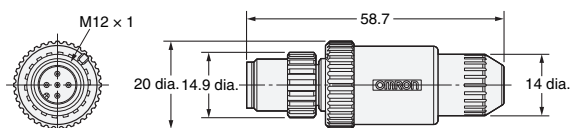
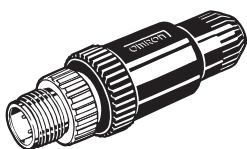


XS2G-D426

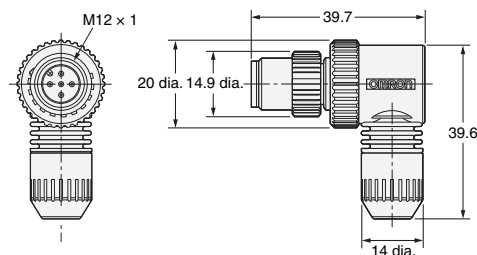
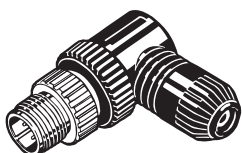


Connector Plug Assemblies, Screw-on Type

XS2G-D4S5



XS2G-D4S6



Safety Precautions

<Single-beam Safety Sensor E3ZS/E3FS>

WARNING

G9SP is the only Controller that can be used for the E3ZS-T81A/E3FS-10B4□□□ (type 2). Normal operation may not be possible if another Single-beam Sensor Controller is used.



The Sensor cannot be used as part of a safety system when the mode selection input of the Single-beam Safety Sensor Receiver is connected to 0 V because the Sensor will turn ON when light is interrupted (Dark ON). Be sure to connect the mode selection input to 24 VDC if you want the Sensor to turn ON when light is incident (Light ON).

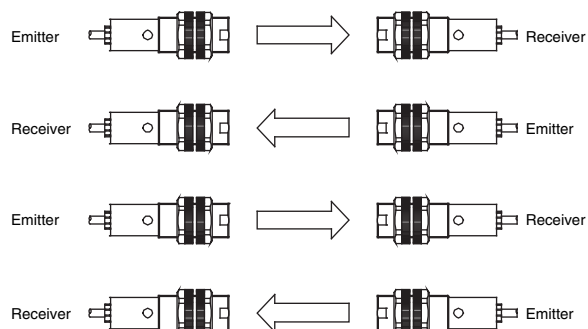


Refer to the website at: <http://www.ia.omron.com/> for calculating the Safety distance.

Preventing Mutual Interference

Observe the following items during installation to prevent Single-beam Safety Sensors from interfering with each other or with Safety Light Curtains.

- Leave adequate space between the Sensors during installation. (Refer to the instruction manuals for the E3ZS/E3FS.)
- Use baffle plates to separate Sensors.
- Alternate Emitters and Receivers during installation. (See the figure below.)



Check for mutual interference between Single-beam Safety Sensors or Safety Light Curtains connected to the same or different Control Units before finalizing placement and starting normal operation.

WARNING

When installing multiple Safety Light Curtains, Multi-beam Safety Sensors, and Single-beam Safety Sensors, take necessary steps to prevent mutual interference. Otherwise detection may fail and serious injury may result.



Terms and Conditions Agreement

Read and understand this catalog.

Please read and understand this catalog before purchasing the products. Please consult your OMRON representative if you have any questions or comments.

Warranties.

(a) Exclusive Warranty. Omron's exclusive warranty is that the Products will be free from defects in materials and workmanship for a period of twelve months from the date of sale by Omron (or such other period expressed in writing by Omron). Omron disclaims all other warranties, express or implied.

(b) Limitations. OMRON MAKES NO WARRANTY OR REPRESENTATION, EXPRESS OR IMPLIED, ABOUT NON-INFRINGEMENT, MERCHANTABILITY OR FITNESS FOR A PARTICULAR PURPOSE OF THE PRODUCTS. BUYER ACKNOWLEDGES THAT IT ALONE HAS DETERMINED THAT THE PRODUCTS WILL SUITABLY MEET THE REQUIREMENTS OF THEIR INTENDED USE.

Omron further disclaims all warranties and responsibility of any type for claims or expenses based on infringement by the Products or otherwise of any intellectual property right. (c) Buyer Remedy. Omron's sole obligation hereunder shall be, at Omron's election, to (i) replace (in the form originally shipped with Buyer responsible for labor charges for removal or replacement thereof) the non-complying Product, (ii) repair the non-complying Product, or (iii) repay or credit Buyer an amount equal to the purchase price of the non-complying Product; provided that in no event shall Omron be responsible for warranty, repair, indemnity or any other claims or expenses regarding the Products unless Omron's analysis confirms that the Products were properly handled, stored, installed and maintained and not subject to contamination, abuse, misuse or inappropriate modification. Return of any Products by Buyer must be approved in writing by Omron before shipment. Omron Companies shall not be liable for the suitability or unsuitability or the results from the use of Products in combination with any electrical or electronic components, circuits, system assemblies or any other materials or substances or environments. Any advice, recommendations or information given orally or in writing, are not to be construed as an amendment or addition to the above warranty.

See <http://www.omron.com/global/> or contact your Omron representative for published information.

Limitation on Liability; Etc.

OMRON COMPANIES SHALL NOT BE LIABLE FOR SPECIAL, INDIRECT, INCIDENTAL, OR CONSEQUENTIAL DAMAGES, LOSS OF PROFITS OR PRODUCTION OR COMMERCIAL LOSS IN ANY WAY CONNECTED WITH THE PRODUCTS, WHETHER SUCH CLAIM IS BASED IN CONTRACT, WARRANTY, NEGLIGENCE OR STRICT LIABILITY.

Further, in no event shall liability of Omron Companies exceed the individual price of the Product on which liability is asserted.

Suitability of Use.

Omron Companies shall not be responsible for conformity with any standards, codes or regulations which apply to the combination of the Product in the Buyer's application or use of the Product. At Buyer's request, Omron will provide applicable third party certification documents identifying ratings and limitations of use which apply to the Product. This information by itself is not sufficient for a complete determination of the suitability of the Product in combination with the end product, machine, system, or other application or use. Buyer shall be solely responsible for determining appropriateness of the particular Product with respect to Buyer's application, product or system. Buyer shall take application responsibility in all cases.

NEVER USE THE PRODUCT FOR AN APPLICATION INVOLVING SERIOUS RISK TO LIFE OR PROPERTY OR IN LARGE QUANTITIES WITHOUT ENSURING THAT THE SYSTEM AS A WHOLE HAS BEEN DESIGNED TO ADDRESS THE RISKS, AND THAT THE OMRON PRODUCT(S) IS PROPERLY RATED AND INSTALLED FOR THE INTENDED USE WITHIN THE OVERALL EQUIPMENT OR SYSTEM.

Programmable Products.

Omron Companies shall not be responsible for the user's programming of a programmable Product, or any consequence thereof.

Performance Data.

Data presented in Omron Company websites, catalogs and other materials is provided as a guide for the user in determining suitability and does not constitute a warranty. It may represent the result of Omron's test conditions, and the user must correlate it to actual application requirements. Actual performance is subject to the Omron's Warranty and Limitations of Liability.

Change in Specifications.

Product specifications and accessories may be changed at any time based on improvements and other reasons. It is our practice to change part numbers when published ratings or features are changed, or when significant construction changes are made. However, some specifications of the Product may be changed without any notice. When in doubt, special part numbers may be assigned to fix or establish key specifications for your application. Please consult with your Omron's representative at any time to confirm actual specifications of purchased Product.

Errors and Omissions.

Information presented by Omron Companies has been checked and is believed to be accurate; however, no responsibility is assumed for clerical, typographical or proofreading errors or omissions.

2016.8

In the interest of product improvement, specifications are subject to change without notice.

OMRON Corporation
Industrial Automation Company

<http://www.ia.omron.com/>

(c)Copyright OMRON Corporation 2016 All Right Reserved.